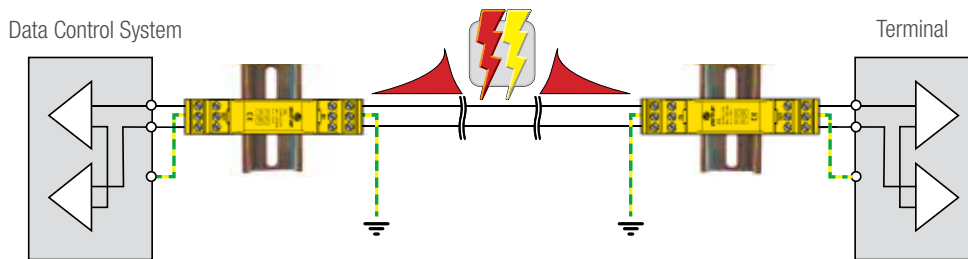


DIN-rail socket + pluggable SPD-module



S-ASI ... R ... is an SPD for installations in series with the telecommunication/signalling circuits to protect sensitive equipments with low resistability/immunity, providing the following features and benefits:

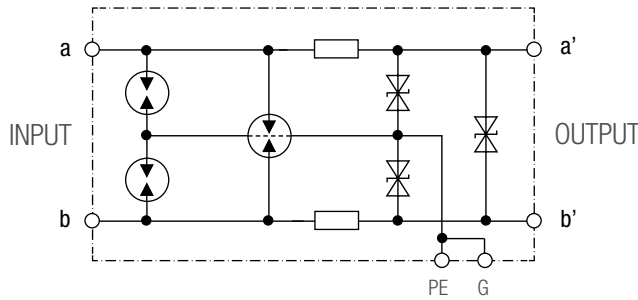
- Classification for the impulse test: categories C1, C2, C3, D1 (comply with IEC/EN 61643-21);
- S-ASI ... SPDs are made in pluggable execution and they guarantee the continuity of signal circuit. They do not suspend it when the plug is pulled out;
- The common and differential mode fine protection let at this device to well protect grounded circuits;
- Providing protection against direct and indirect lightning effects;
- The behaviour of the SPD is in Short Circuit failure mode when reaching the end of the life;
- The connection is made by screw type terminals to guarantee the best connection reliability;
- Ground connection is made via PE and G screw type terminals, as well as the top hat DIN rail.

RS 485 / RS 422
CAN - Bus

Model S-ASI 1 R ...		6	12	24	48
CODE		342 006	342 012	342 024	342 048
Protected Lines				1	
SPD impulse rating/Category		C1, C2, C3, D1			
Nominal Voltage	U_N	6 V dc/ 4,2 V ac	12 V dc/9 V ac	24 V dc/18 V ac	48 V dc/39 V ac
Maximum Continuous Operating Voltage	U_c	7,2 V dc	14,4 V dc	28,8 V dc	57,6 V dc
Rated Current	I_L			0,5 A	
Category C1 - Nominal discharge current (8/20 μ s) per wire	I_n			1 kA	
Category C1 - Level of protection at I_n wire (all modes)	U_p	30 V dc	50 V dc	65 V dc	80 V dc
Category C2 - Nominal discharge current (8/20 μ s) per wire	I_n			15 kA	
Category C2 - Level of protection at I_n per wire (all modes)	I_n	40 V dc	55 V dc	70 V dc	120 V dc
Category C3 - Voltage protection level at 1 kV/ μ s (all modes)	U_p	≤ 15 V	≤ 28 V	≤ 64 V	≤ 85 V
Category D1 - Line/PE impulse discharge current (10/350 μ s)	$I_{imp\ 10/350}$			2,5 kA	
Category D1 - Total Impulse discharge current (10/350 μ s)	$I_{Total\ 10/350}$			5 kA	
Response time	t_a			≤ 1 ns	
Bandwidth				1 MHz	
Data Rate				1 Mbit/s	
Longitudinal serie impedance				1,8 Ω	
Parasitic capacity	C			1,5 nF	
Operating temperature range				-25 ... +70 $^{\circ}$ C	
Clamps cross-section				max. 1,5 mm ² flexible	
Mounting				indoor, 35 x 7,5 mm top hat DIN rail IEC/EN 60715	
Housing				thermoplastic	
Degree of protection	IP			20	
Approximate weight				50 g	
Dimension: width				17,5 mm (1 module)	
GTIN (EAN)		8054890321938	8054890321945	8054890321952	8054890321969

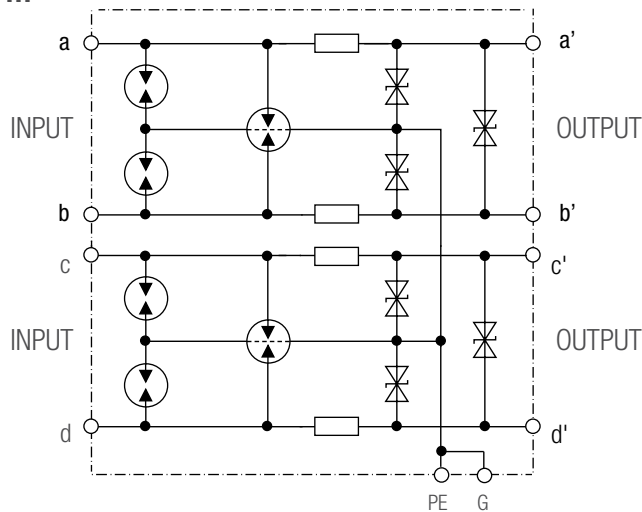


MODEL S-ASI 1 R ...



Typical protection scheme for the following standards: RS 485, RS 422, CAN-Bus and 24 V-.
The protection allows a data transmission up to 1 Mbit/s.
The level of protection offered from this solution is not affected by the steepness of the transient.

MODEL S-ASI 2 R ...



RS 485 / RS 422
CAN - Bus

Model S-ASI 2 R ...

		6	12	24	48
CODE		342 206	342 212	342 224	342 248
Protected Lines		2			
SPD impulse rating/Category		C1, C2, C3, D1			
Nominal Voltage	U_N	6 V dc/ 4,2 V ac	12 V dc/9 V ac	24 V dc/18 V ac	48 V dc/39 V ac
Maximum Continuous Operating Voltage	U_c	7,2 V dc	14,4 V dc	28,8 V dc	57,6 V dc
Rated Current	I_L	0,5 A			
Category C1 - Nominal discharge current (8/20 μ s) per wire	I_n	1 kA			
Category C1 - Level of protection at I_n per wire (all modes)	U_p	30 V dc	50 V dc	65 V dc	80 V dc
Category C2 - Nominal discharge current (8/20 μ s) per wire	I_n	15 kA			
Category C2 - Level of protection at I_n wire (all modes)	I_n	40 V dc	55 V dc	70 V dc	120 V dc
Category C3 - Voltage protection level at 1 kV/ μ s (all modes)	U_p	≤ 15 V	≤ 28 V	≤ 64 V	≤ 85 V
Category D1 - Line/PE impulse discharge current (10/350 μ s)	$I_{imp\ 10/350}$	2,5 kA			
Category D1 - Total Impulse discharge current (10/350 μ s)	$I_{Total\ 10/350}$	5 kA			
Response time	t_a	≤ 1 ns			
Bandwidth		1 MHz			
Data Rate		1 Mbit/s			
Longitudinal serie impedance		1,8 Ω			
Parasitic capacity	C	1,5 nF			
Operating temperature range		-25 ... +70 °C			
Clamps cross-section		max. 1,5 mm ² flexible			
Mounting		indoor, 35 x 7,5 mm top hat DIN rail IEC/EN 60715			
Housing		thermoplastic			
Degree of protection	IP	20			
Approximate weight		50 g			
Dimension: width		17,5 mm (1 module)			
GTIN (EAN)		8054890321976	8054890321983	8054890321990	8054890322003