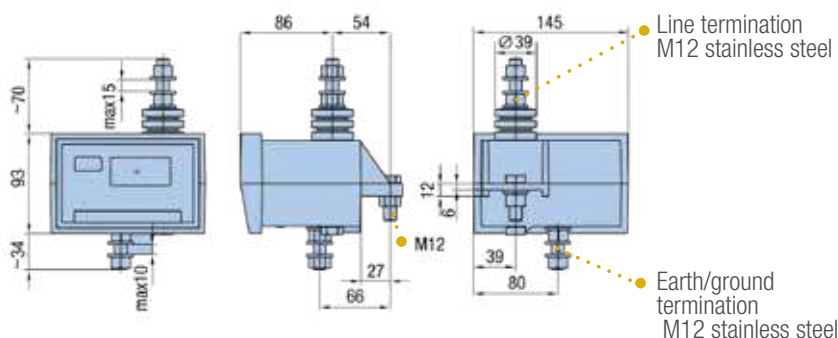
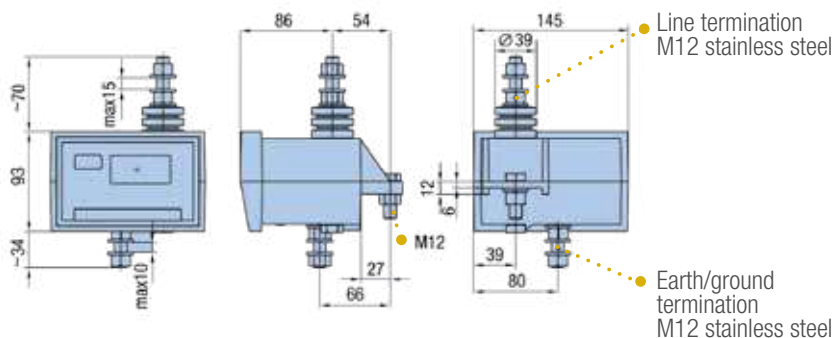




ZU SC

ZU SC-M



**Lightning surge counter models ZU SC and ZU SC-M**

In compliance with the standards IEC/EN 62561-6.

The installation of the lightning surge counter must be combined with a surge arrester mounted with an insulating support.

Lightning surge counters do not require a power supply, they are installed at the earth/ground terminal of a single surge arrester or at the common earth/ground connection of a group of arresters.

The ZU SC model is capable of counting surges to ground.

The ZU SC-M model counts surges to ground and provides an indication of the total leakage current via an analogue meter.

A significant change in the value of the indicated current after installation shows a deterioration of the surge arrester or an increased level of pollution on surface insulator of the surge arrester.

Both models can be supplied, upon request, with an auxiliary contact for the remote monitoring of the counting.

Model		ZU SC	ZU SC-M
<b>CODE</b>		<b>105 000</b>	<b>106 000</b>
Classification according with IEC/EN 62561-6		Type II	Type II
Minimum discharge current counted (8/20 μs)	<i>I<sub>n min</sub></i>	100 A	100 A
Maximum discharge current counted (8/20 μs)	<i>I<sub>n max</sub></i>	100 kA	100 kA
Residual voltage at 100 kA 4/10 μs		6 kV peak	6 kV peak
Digital indicator		6 digit	6 digit
Maximum counting frequency		5/second	5/second
Analogue meter scale			0-30 mA Peak-√/2
GTIN (EAN)		8054890320016	8054890320030

TECHNICAL DATA

Model ... with remote signal contact		ZU SC t	ZU SC-M t
<b>CODE</b>		<b>105 001</b>	<b>106 001</b>
Remote signal contact		Potential free normally open contact	
Terminal-conductor size for remote signal contact		max. 1,5 mm <sup>2</sup> flexible	
Switching capacity		ac: 250 V / 0,5 A – dc: 125 V / 0,2 A; 75 V / 0,5 A	
GTIN (EAN)		8054890320023	8054890320047